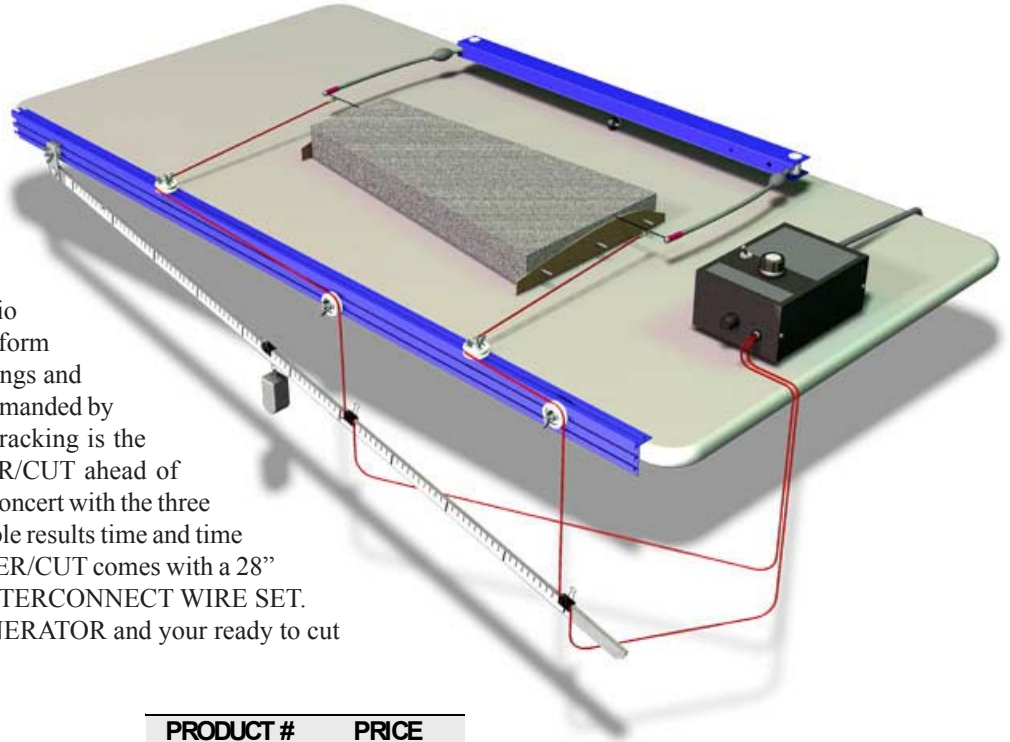


# FOAM CUTTING EQUIPMENT

## FEATHER/CUT

Creates a new standard in the ease and accuracy of cutting foam core wings. Whether you're sheeting white foam or vacuum bagging blue foam, your end product will only be as accurate as the core you start with. Special instructions on "Cutting your first Wing", "Making Templates" and more are supplied. A gravity-driven adjustable-ratio mechanism guarantees a constant uniform airfoil for both straight or tapered wings and stabilizers giving you the precision demanded by many kit manufacturers. True wire tracking is the proprietary art that places FEATHER/CUT ahead of the rest. Micro adjustable weights in concert with the three point tracking system insures incredible results time and time again, completely hands off. FEATHER/CUT comes with a 28" FOLDBOW, RED HEADS and a INTERCONNECT WIRE SET. All you need is the THERMAL GENERATOR and your ready to cut foam wings. Table not included.



PRODUCT #	PRICE
T-11	\$179.95

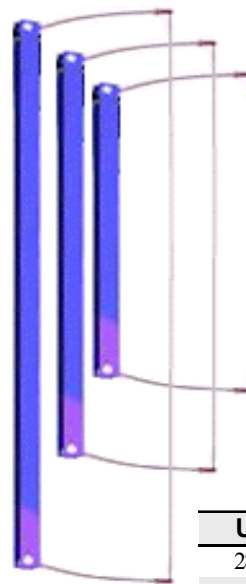
## THERMAL GENERATOR

Increased power (5 amps) speeds you through those long foam sections. The dial is calibrated for the 28", 40", and 52" Foldbows for fast error free setup and cutting. The operation is as simple as flipping the master switch on and off for each cut. Takes the "waste" and "guess" out of foam cutting. The Thermal Generator is designed exclusively for the Feather/Cut machine for years of trouble free service. Additional Interconnect Wire Set (T-12A) is also available.



PRODUCT #	PRICE
T-12	\$144.95
T-12A	\$21.95

## HOT WIRE BOWS



### 28" FOLDBOW

Available separately and ideal for various foam cutting chores around the shop.

### 40" FOLDBOW

Ideal for wings with panels up to 36". Complete with all FEATHER/CUT hardware.

### 52" FOLDBOW

Ideal for wings with panels up to 48". Complete with all FEATHER/CUT hardware.

All Bows are blue anodized aluminum and come with a set of RED HEADS.

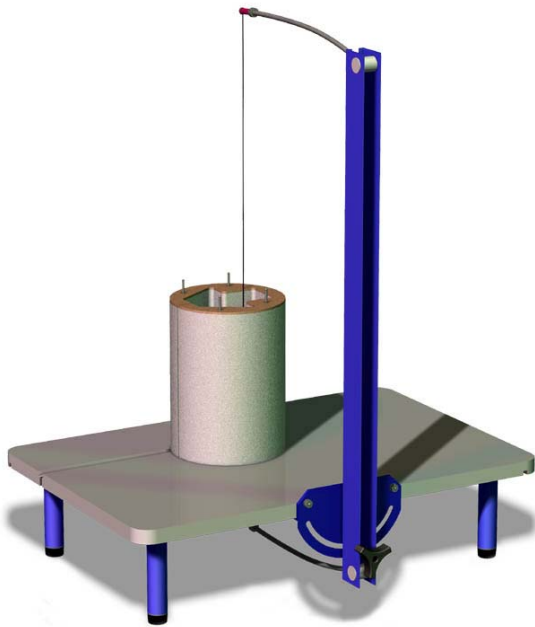
UNIT SIZE	PRODUCT #	PRICE
28" FoldBow	T-13	\$44.95
40" FoldBow	T-14	\$49.95
52" FoldBow	T-15	\$54.95

**Order Desk: (800) 811-2009**

**Technical Assistance: (925) 443-5900**

# FOAM CUTTING EQUIPMENT

## MULTI/CUT



MULTI/CUT with 28" foldbow

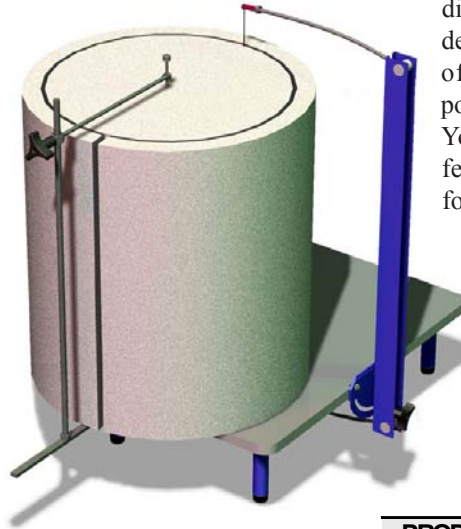
This device features a hot wire vertical to the work surface adjustable to various angles. Create a custom template to guide the foam through the hot wire for a freeform shape. Try a freehand cut without a template and let your creativity be your guide. MULTI/CUT comes with a set of RED HEADS. All you need is the THERMAL GENERATOR

PRODUCT #	PRICE
T-11A	\$139.95

## CIRCLE/CUT

An accessory for MULTI/CUT

This device enables MULTI/CUT to cut cylinders, hollow cylinders, cones and hollow cones without templates. Simply set the CIRCLE/CUT to the radius of the circular cut desired, place the block of foam on the pivot point and turn the foam. You'll get a true and perfect cut. Reset the stop for a hollow cut

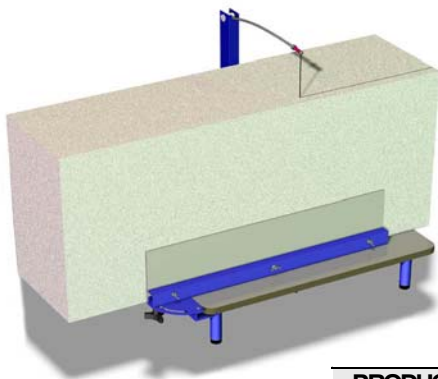


PRODUCT #	PRICE
T-11D	\$54.95

## STRAIGHT/CUT

An accessory for MULTI/CUT

A 6" x 24" fence, easily attaches to CROSS/CUT to accurately guide large foam blocks through the hot wire. A necessary



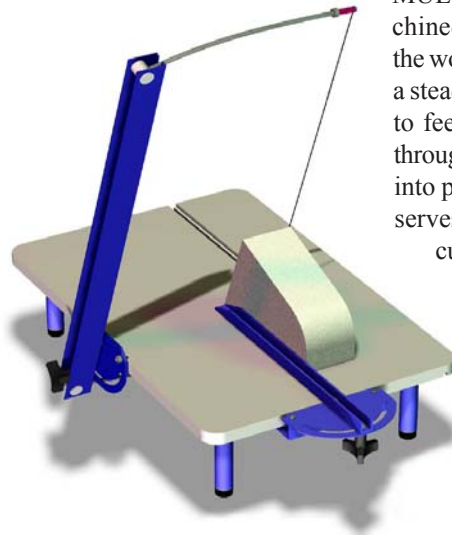
accessory when cutting blocks into sheets for cutting wings and stabilizers with FEATHER/CUT.

PRODUCT #	PRICE
T-11C	\$32.95

## CROSS/CUT

An accessory for MULTI/CUT

This device is angle adjustable and is guided along the surface of MULTI/CUT in tracks machined under two sides of the work surface. It serves as a steady rest when you want to feed an odd foam shape through the hot wire. Locked into position, CROSS/CUT serves as a guide for repeat cuts of the same size. All of the mechanics are machined from aluminum and handsomely blue anodized.



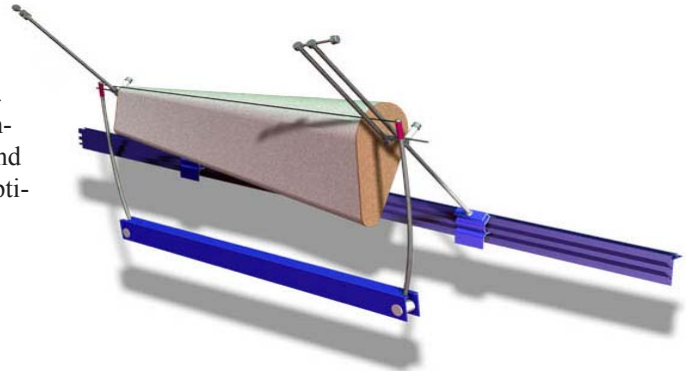
PRODUCT #	PRICE
T-11E	\$43.95

# FOAM CUTTING EQUIPMENT

## ROTO/CUT

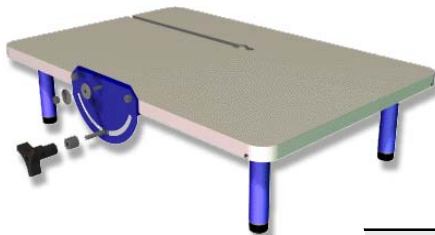
An accessory for FEATHER/CUT

This device snaps onto the main body extrusion of the FEATHER/CUT and is adjustable for short to long cylindrical or conical cuts. Set the circular stops and cut the front half of a Corsair without templates. Adjust again for a hollow cut. With the proper templates, and by following our proprietary instructions, you can cut accurate elliptical and semi-elliptical shapes like the rear half of a Corsair. A smaller elliptical template hollows this section.



PRODUCT #	PRICE
T-11F	\$52.95

## MULTI/CUT



Includes all hardware to mount your FEATHER/CUT 28" Bow. Requires RED/ Heads, Interconnect Wire Set and Thermal Generator

PRODUCT #	PRICE
T-11B	\$99.95

WITHOUT 28" BOW

## BODY EXTRUSION



Mounting base for ROTO/CUT. Required if you do not have FEATHER/CUT

PRODUCT #	PRICE
T-11F-1	\$69.50

## TEMPLATE MATERIAL

High temperature phenolic board that will not chip when cut or burn from the hot wire. Will produce accurate templates with an extremely smooth surface edge for skip free travel of the hot wire. Available in 1/32" and 1/16" thickness.

UNIT SIZE	PRODUCT #	PRICE
1/32" Thick x 12" x 24"	T-16A	\$6.50
1/16" Thick x 12" x 24"	T-17	\$7.00

## RED HEADS

The RED HEADS are hot wire retainers that attach to the end of the FEATHER/CUT foldbow spring rods. They feature locking screws to attach the T-370 hot wire. Simple and convenient, the RED HEADS are machined from 6061-T6 aluminum with an internal diameter honed to a vacuum fit to the spring rods. Featuring jewel-like red anodized finish. Two per package.



PRODUCT #	PRICE
T-15B	\$5.95

## CompuFoil 2000

**CompuFoil 2000** is the industry standard in airfoil modification and plotting software. Used by SIG, Midwest Models, Great Planes Models, NASA, dozens of schools, colleges, universities and modlers around the world. A complete rib, template plotting and airfoil editing system. The program provides the best possible templates for use with the Feather/Cut. CompuFoil runs on Windows 3.1, 3.11, 95, 98. **It will also run on NT, and Macintosh computers with a PC emulator, but these two require a custom setup program.**

PRODUCT #	PRICE
T-20B	\$118.00

## HOT WIRES

**T370** Special high tensile (20% higher than music wire) carbon wire used exclusively with FEATHER/CUT and MULTI/CUT. Less thermal expansion than nichrome wire. Wire is .018 diameter x 8' long.

**.015" INCONEL / COPPER COATED** The best hot wire for cutting EPP foam. Because of the copper coating the wire will not snag the EPP or SPYDER foam. Also can be run hotter with less stretch than the standard wire.

UNIT SIZE	PRODUCT #	PRICE
T370 .018" Hot Wire / 8 Ft.	T-16	\$4.95
.015" Inconel Hot Wire / 8 Ft.	T-16-1	\$6.00

**Order Desk: (800) 811-2009**

**Technical Assistance: (925) 443-5900**